

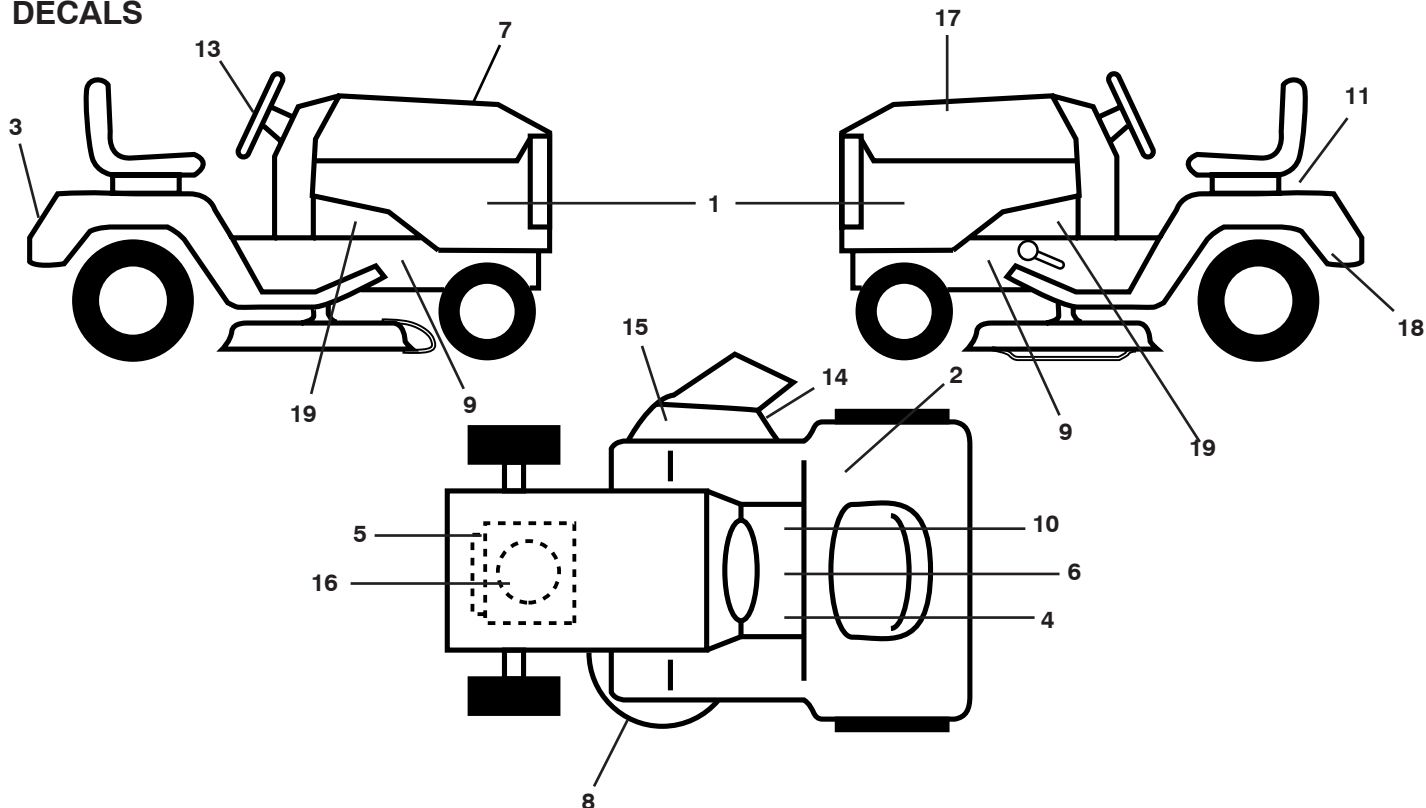
ILLUSTRATED PARTS LIST

MFG. ID NO. 96041001602

CUSTOMER CATALOG NO. P180107H

PRODUCT NO. 960 41 00-16

**TRACTOR - MODEL NUMBER P180107H 96041001602 PRODUCT NO. 960 41 00 16
DECALS**



**KEY PART
NO. NO.**

DESCRIPTION

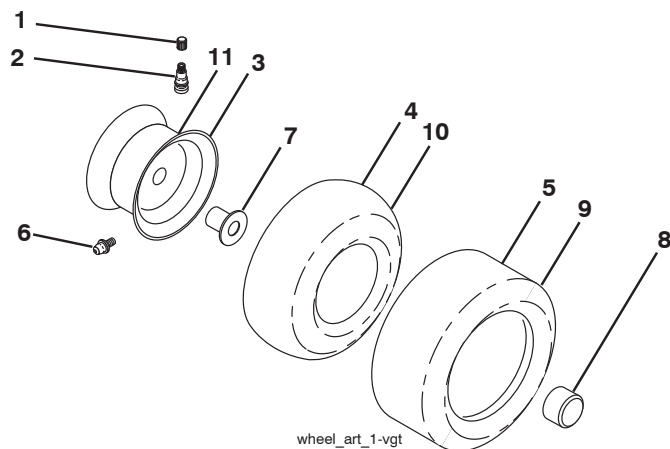
1	532 40 86-39	Decal, Panel SD
2	532 18 04-32	Decal, Fender 100 DB/CE
3	532 40 86-42	Decal, Fender
4	532 15 97-37	Decal, Brake/Clutch
5	532 41 67-41	Decal, Engine HP
6	532 40 03-89	Decal, Warning
7	532 40 81-81	Decal, Hood RH
8	532 16 03-96	Decal, V-Belt Schematic
9	532 15 97-36	Decal, Chassis Hot Muffler
10	532 14 08-37	Decal, Saddle Brake Parking
11	532 14 50-05	Decal, Battery Dnge/Poi
13	532 40 80-55	Decal, Whl Str
14	532 18 21-66	Decal, Cutfinger

**KEY PART
NO. NO.**

DESCRIPTION

15	532 19 63-57	Decal, Deflect Wrn
16	532 19 68-41	Decal, Warning Engine
17	532 40 81-83	Decal, Hood LH
18	532 16 25-98	Decal, Drawbar
19	532 18 56-51	Decal, Chas Turbo
--	532 16 69-60	Decal, Bypass Fender
--	532 40 80-54	Decal, Grille
--	532 40 95-05	Pad, Footrest, LH
--	532 41 12-73	Pad, Footrest, RH
--	532 40 91-27	Manual, Operator's (Euro)
--	532 40 91-28	Manual, Operator's (Scand)
--	532 41 19-92	Manual, Operator's (E-Bloc)
--	532 41 19-93	Manual, Operator's (Baltic)

WHEELS & TIRES



**KEY PART
NO. NO.**

DESCRIPTION

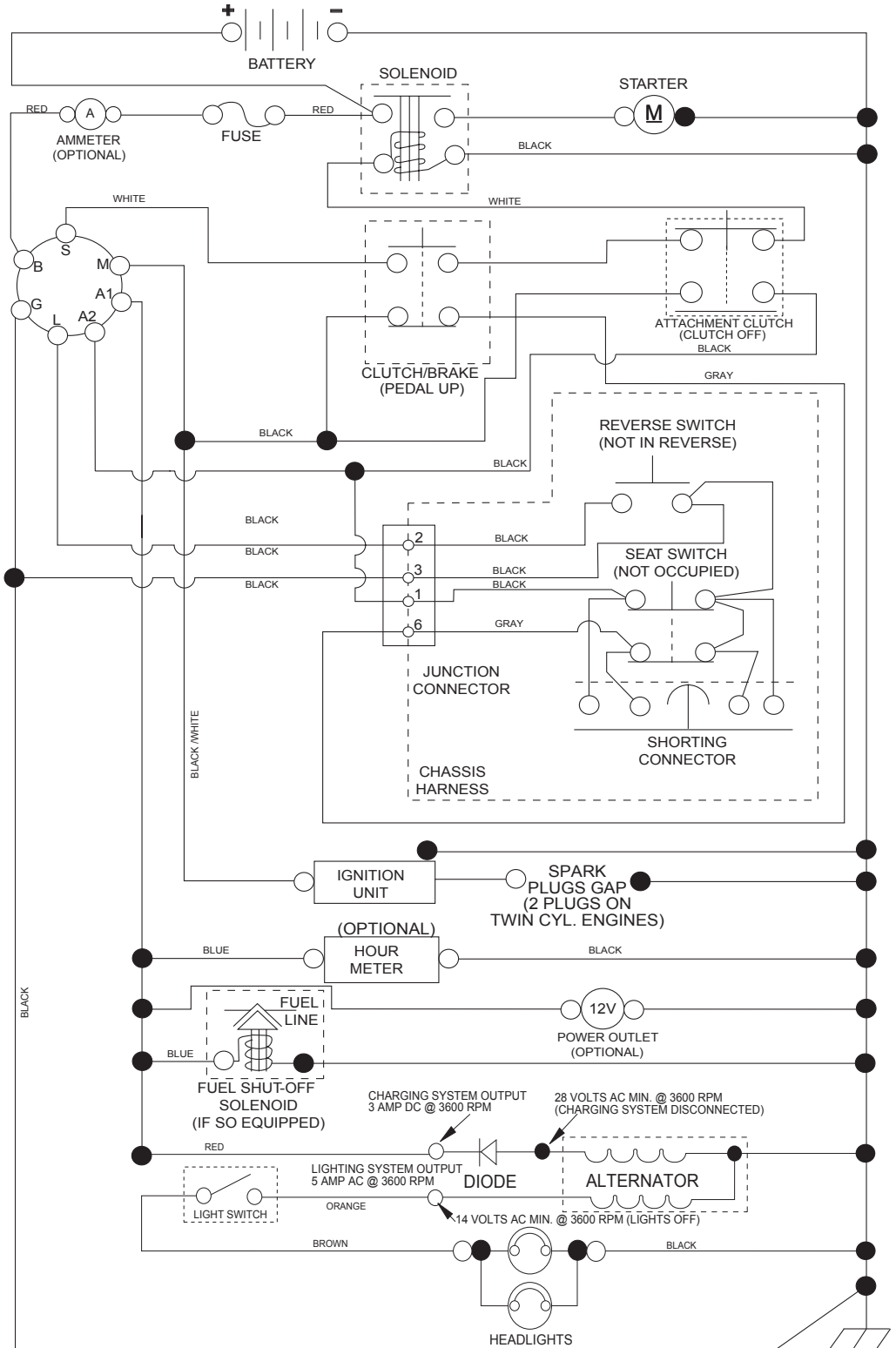
1	532 05 91-92	Cap, Valve, Tire
2	532 06 51-39	Stem, Valve
3	532 12 51-21	Rim Assembly, Front
4	532 05 99-04	Tube, Front
5	532 10 62-22	Tire, Front
6	532 12 49-57	Fitting, Grease
7	532 12 49-59	Bearing, Flange
8	532 17 50-39	Cap, Axle (Front Wheel Only)
9	532 12 20-82	Tire, Rear
10	532 12 49-26	Tube, Rear
11	532 12 51-22	Rim Assembly, Rear
--	532 14 43-34	Sealant, Tire (10 oz. Tube)

NOTE: All component dimensions given in U.S. inches 1 inch = 25.4 mm

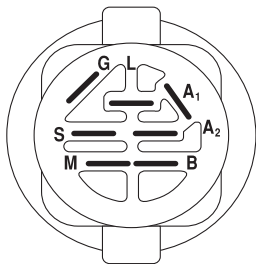
TRACTOR - MODEL NUMBER P180107H 96041001602 PRODUCT NO. 960 41 00 16

SCHEMATIC

SCH11

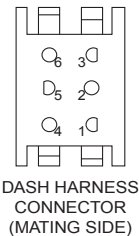
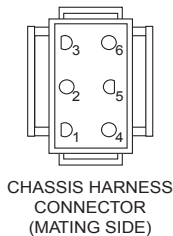


NOTE
YOUR TRACTOR IS EQUIPPED WITH A SPECIAL ALTERNATOR SYSTEM. THE LIGHTS ARE NOT CONNECTED TO THE BATTERY, BUT HAVE THEIR OWN ELECTRICAL SOURCE. BECAUSE OF THIS, THE BRIGHTNESS OF THE LIGHTS WILL CHANGE WITH ENGINE SPEED. AT IDLE THE LIGHTS WILL DIM. AS THE ENGINE IS SPEEDED UP, THE LIGHTS WILL BECOME THEIR BRIGHTEST.

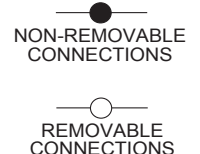


IGNITION SWITCH

POSITION	CIRCUIT	"MAKE"
OFF	M+G+A1	
RUN/OVERRIDE	B+A1	
RUN	B+A1	L+A2
START	B + S + A1	



WIRING INSULATED CLIPS
NOTE: IF WIRING INSULATED CLIPS WERE REMOVED FOR SERVICING OF UNIT, THEY SHOULD BE RE-INSTALLED TO PROPERLY SECURE YOUR WIRING.

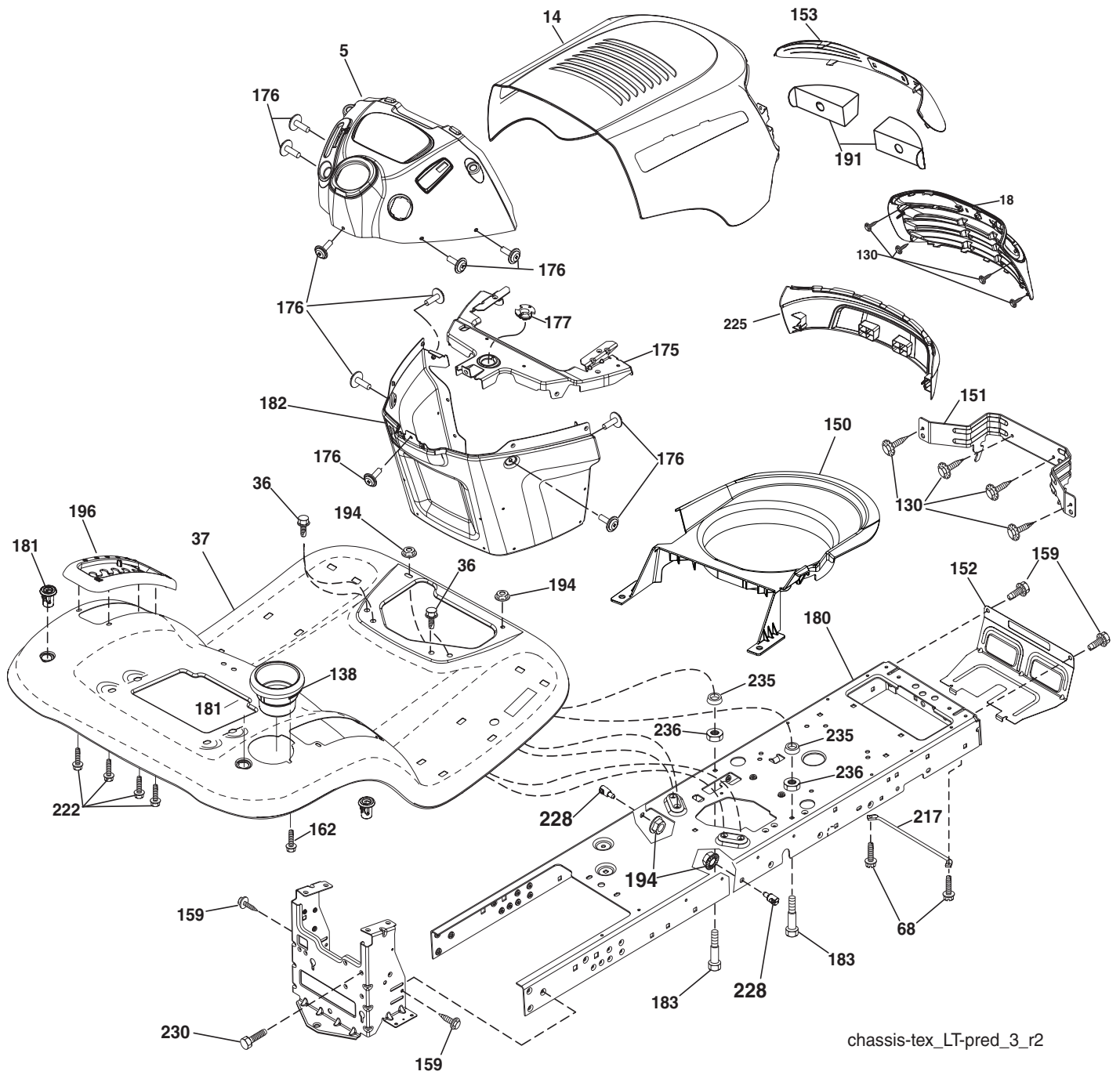


**TRACTOR - MODEL NUMBER P180107H 96041001602 PRODUCT NO. 960 41 00 16
ELECTRICAL**

KEY NO.	PART NO.	DESCRIPTION
1	532 16 34- 65	Battery
2	874 76 04-12	Bolt Hex Hd 1/4-20 UNC x 3/4
8	532 19 32-28	Box Battery
16	532 17 61-38	Switch Interlock Push-In
21	532 40 02-52	Harness Socket Light W/4152J
22	532 00 41-52	Bulb Light
25	532 40 16-62	Cable Starter
26	532 17 51-58	Fuse
27	873 51 04-00	Nut Keps Hex 1/4-20 UNC
28	532 19 88-85	Cable, Ground
29	532 40 15-45	Switch, Seat
30	532 19 33-50	Switch, Ign
33	532 41 19-35	Key/Chain
34	532 11 07-12	Switch Light / Reset
40	532 40 10-98	Harness Ign. Dash
41	817 72 04-08	Screw Thd Cut 1/4-20 x 1/2
42	532 13 15-63	Cover, Terminal
43	532 19 25-07	Solenoid
55	817 06 05-12	Screw Thdrol 5/16-18 x 3/4 TYTT
71	532 40 04-49	Harness Ign.
79	532 17 52-42	Bulbholder Asm. Incandescent
87	532 19 78-02	Switch Interlock Clutch Cable
90	532 40 07-25	Cover Terminal Battery
92	532 19 66-15	Harness Pigtail
93	532 19 25-40	Screw Plastite 10-14 x 2.0
94	532 19 18-34	Module Reverse ROS

NOTE: All component dimensions given in U.S. inches
1 inch = 25.4 mm

TRACTOR - MODEL NUMBER P180107H 96041001602 PRODUCT NO. 960 41 00 16 CHASSIS

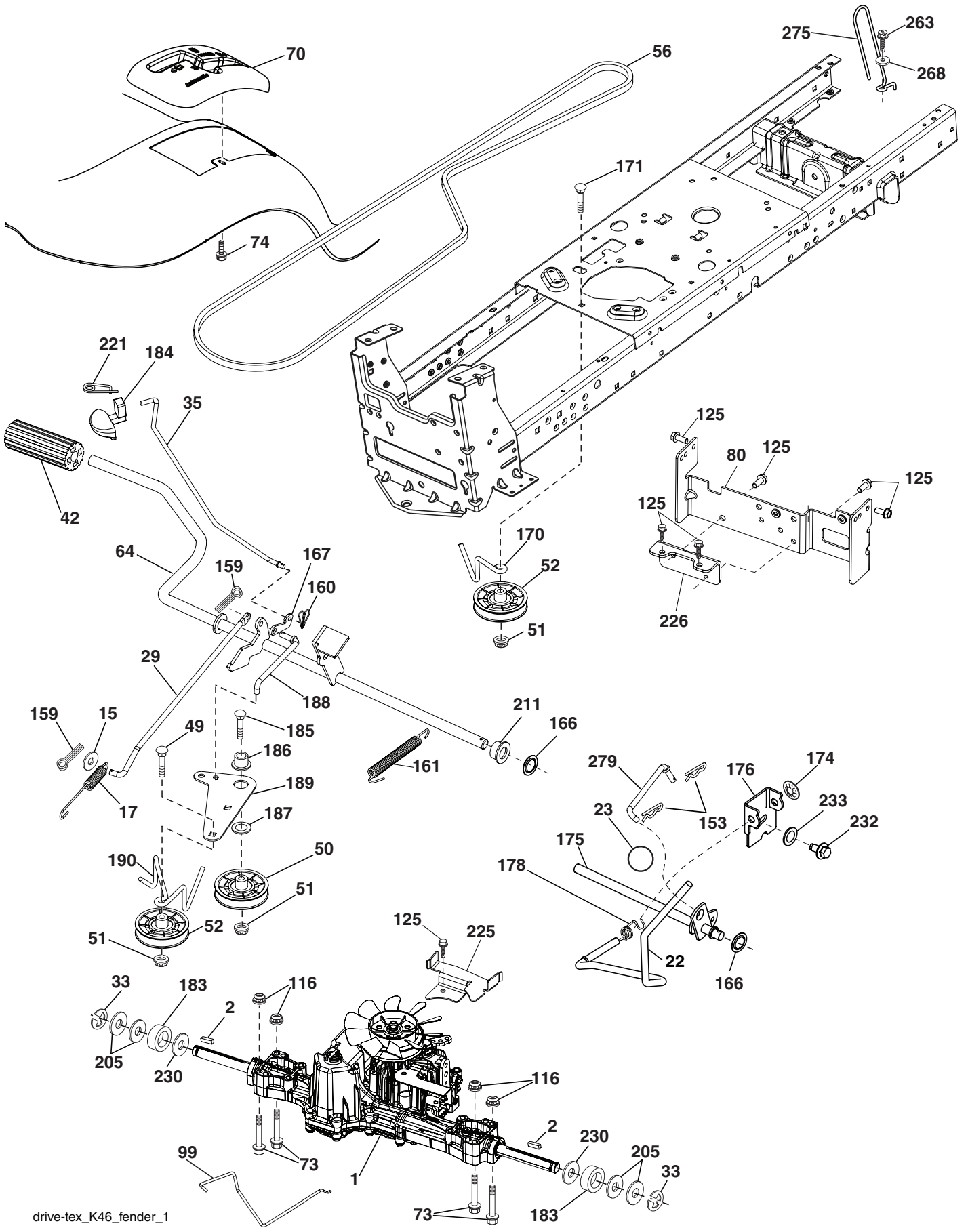


**TRACTOR - MODEL NUMBER P180107H 96041001602 PRODUCT NO. 960 41 00 16
CHASSIS**

KEY NO.	PART NO.	DESCRIPTION
2	532 19 42-63	Drawbar
5	532 40 95-97	Dash
14	532 40 95-98	Hood
18	532 40 18-28	Grille
36	817 06 05-12	Screw 5/16-18 x 3/4
37	532 40 97-27	Fender
68	817 49 05-08	Screw Thdrol 5/16-18 x 1/2
130	532 19 16-11	Screw 10 x 3/4 Single Lead-Hex
138	532 40 97-30	Cupholder
150	532 40 83-10	Duct Heat Hood
151	532 18 75-68	Bracket Pivot
152	532 19 43-29	Shield Browning/Debris
153	532 40 97-40	Lens Bar
159	817 00 06-12	Screw Hexwsh Thdrol 3/8-16 x 3/4
162	532 14 24-32	Screw Hexwsh Hi-Lo 1/4 x 1/2
175	532 19 94-72	Crossmember
176	532 40 07-76	Screw 10-24 x 5/8 Wshd Qdrx
177	532 19 52-28	Bushing Steering
180	532 19 42-60	Chassis
181	532 40 47-96	Bushing Mtg. Fender Crgo.
182	532 40 71-76	Dash Lower
183	874 78 05-20	Bolt Fin Hex 5/16-18 x 1-1/4
191	532 40 18-27	Reflector Insert
194	873 90 05-00	Nut Lock Hex Flange 5/16-18
196	532 41 68-97	Console Asm. Deck Lift
217	532 40 91-67	Rod Pivot Hood
222	532 13 77-29	Screw Thd Roll 1/4-20 x 5/8
225	532 40 95-85	Bumper
228	532 19 51-61	Stud Fastener
230	532 17 01-65	Bolt Shoulder 5/16-18
235	532 40 61-29	Spacer Fender
236	873 93 05-00	Nut Center Lock 5/16-18

NOTE: All component dimensions given in U.S. inches
1 inch = 25.4 mm

TRACTOR - MODEL NUMBER P180107H 96041001602 PRODUCT NO. 960 41 00 16 DRIVE

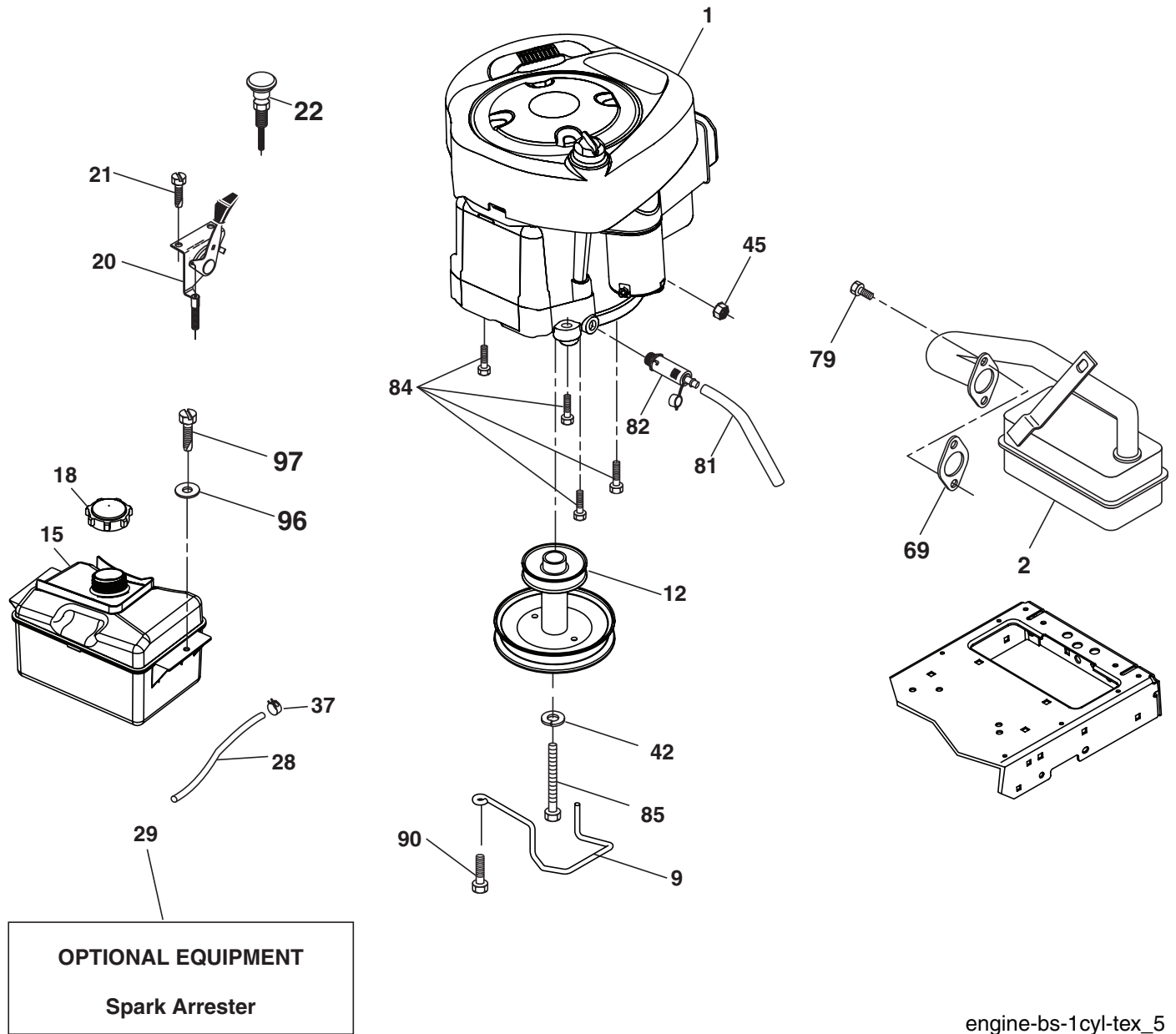


**TRACTOR - MODEL NUMBER P180107H 96041001602 PRODUCT NO. 960 41 00 16
DRIVE**

KEY NO.	PART NO.	DESCRIPTION	KEY NO.	PART NO.	DESCRIPTION
1	----	Transaxle, TUFF TORQ K46	174	532 19 72-89	Nut Push
2	532 12 35-83	Key	175	532 40 62-08	Shaft Asm
15	819 13 13-16	Washer 13/32 x 13/16 x 16 Ga.	176	532 19 62-14	Arm Clevis Rod Shift
17	532 41 36-78	Spring, Brake	178	532 19 74-56	Spring Shift
22	532 19 76-60	Rod Shift	183	532 13 70-57	Spacer Split
23	532 41 14-00	Knob Deluxe 1/2-14 UNC	184	532 40 97-47	Handle Parking Brake
29	532 40 38-06	Rod, Brake	185	872 11 06-20	Bolt
33	812 00 00-01	Ring E	186	532 19 43-21	Spacer Retainer
35	532 40 10-31	Rod, Brake, Park	187	819 13 32-10	Washer
42	532 12 48-72	Cover, Foot Pedal	188	532 19 43-23	Link Clutch Ground Drive
49	872 11 06-14	Bolt	189	532 19 43-17	Bellcrank Ground Drive
50	532 19 43-27	Pulley Idler Flat	190	532 19 43-18	Keeper Bellcrank Ground Drive
51	873 90 06-00	Lock Nut 3/8-16	205	532 12 17-48	Washer
52	532 19 43-26	Idler V-Groove 910" Offset	211	532 19 62-12	Bearing, Nylon
56	532 13 09-69	V-Belt, Drive	221	532 40 31-87	Retainer Sp ring Clip Handle
64	532 19 62-00	Shaft Asm. Pedal Brake Control	225	532 40 33-19	Keeper Belt Trans.
70	532 41 13-29	Console Shift	226	532 40 15-64	Bracket Mount Torque
73	874 49 05-44	Bolt Hex Flghd 5/16-18 Gr. 5	230	532 18 89-67	Washer Hardened
74	532 14 24-32	Screw Hex wsh Hi-Lo 1/4 x 1/2 UNC	232	874 78 07-16	Bolt Fin Hex 7/16-14 x 1 Gr. 5
80	532 41 00-24	Strap Torque	233	532 40 52-96	Washer Serrated
99	532 40 59-03	Rod Bypass	263	817 00 06-12	Screw 3/8-16 x 3/4
116	873 90 05-00	Nut Lock Hex Flange 5/16-18	268	819 13 16-14	Washer 13/32 x 1 x 14 Ga.
125	817 00 05-12	Screw 5/16-18 x 3/4	275	532 18 24-02	Guard Muffler
153	532 12 47-88	Retainer Spring	279	532 40 62-07	Link Shift
159	876 02 04-12	Pin Cotter 1/8 x 3/4			
160	532 16 94-84	Retainer Clip			
161	532 10 57-09	Spring, Return, Clutch			
166	532 19 72-90	Nut, Push			
167	532 40 52-57	Latch Brake Parking			
170	532 19 43-22	Keeper Belt Centerspan			
171	872 11 06-16	Bolt			

NOTE: All component dimensions given in U.S. inches.
1 inch = 25.4 mm

**TRACTOR - MODEL NUMBER P180107H 96041001602 PRODUCT NO. 960 41 00 16
ENGINE**



TRACTOR - MODEL NUMBER P180107H 96041001602 PRODUCT NO. 960 41 00 16 ENGINE

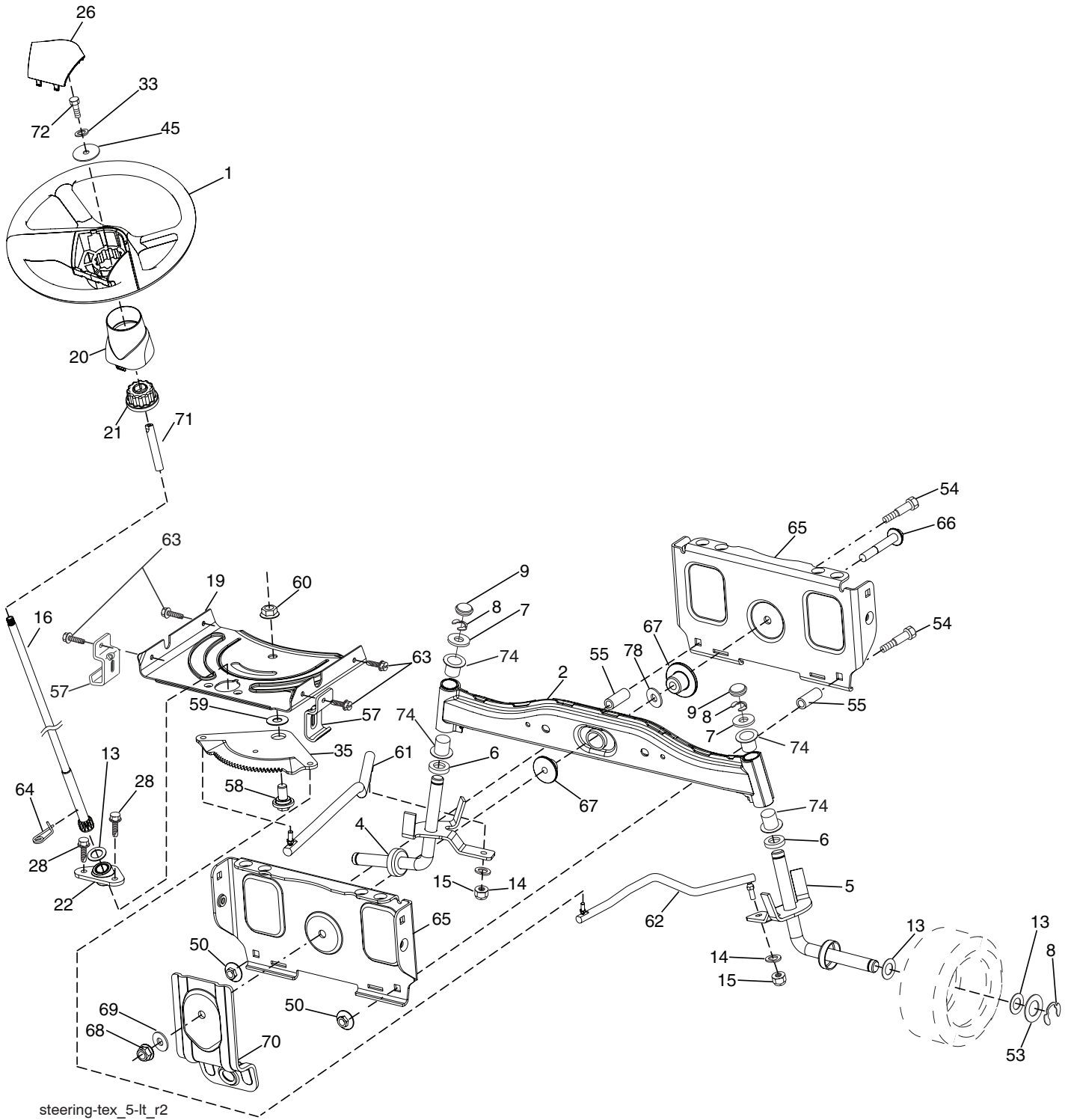
KEY NO.	PART NO.	DESCRIPTION
1	----	Engine B&S Model No. 31N707
2	532 13 73-52	Muffler
9	532 19 43-20	Keeper Belt Engine
12	532 40 54-71	Pulley Engine
15	532 40 75-45	Tank Fuel
18	532 19 77-25	Cap Asm
20	532 41 17-24	Control Throttle/Choke
21	532 19 16-11	Screw 10 x 3/4 Single Lead-Hex
22	532 19 49-81	Control Choke
28	532 13 70-40	Fuel Line
29	532 13 71-80	Spark Arrester Kit
37	532 12 34-87	Clamp Hose
42	810 04 07-00	Washer Lock 7/16
45	873 51 04-00	Nut Keps Hex 1/4-20 UNC
69	532 16 52-91	Gasket
79	532 19 23-34	Screw Socket Hd 5/16-18 x .75
81	532 14 84-56	Tube Drain Oil Easy
82	532 18 16-54	Plug Drain Oil
84	817 06 06-20	Screw 3/8-16 x 1-1/4
85	532 17 39-37	Bolt Hex 7/16-20 x 4 x Gr. 5-1.5
90	817 00 06-16	Screw 3/8-16 x 1.0
96	819 09 14-16	Washer 9/32 x 7/8 x 16 Ga
97	817 67 04-12	Screw 1/4-20 x 3/4

NOTE: All component dimensions given in U.S. inches
1 inch = 25.4 mm

Engine Power Rating Information

The gross power rating for individual gas engine models is labeled in accordance with SAE (Society of Automotive Engineers) code J11940 (Small Engine Power & Torque Rating Procedure), and rating performance has been obtained and corrected in accordance with SAE J1995 (Revision 2002-5). Actual gross engine power will be lower and is affected by, among other things, ambient operating conditions and engine-to-engine variability. Given both the wide array of products on which engines are placed and the variety of environmental issues applicable to operating the equipment, the gas engine will not develop the rated gross power when used in a given piece of power equipment (actual "on-site" or net horsepower). This difference is due to a variety of factors including, but not limited to, accessories (air cleaner, exhaust, charging, cooling, carburetor, fuel pump, etc.), application limitations, ambient operating conditions (temperature, humidity, altitude), and engine-to-engine variability. Due to manufacturing and capacity limitations, Briggs & Stratton may substitute an engine of higher rated power for this Series engine.

TRACTOR - MODEL NUMBER P180107H 96041001602 PRODUCT NO. 960 41 00 16
STEERING ASSEMBLY



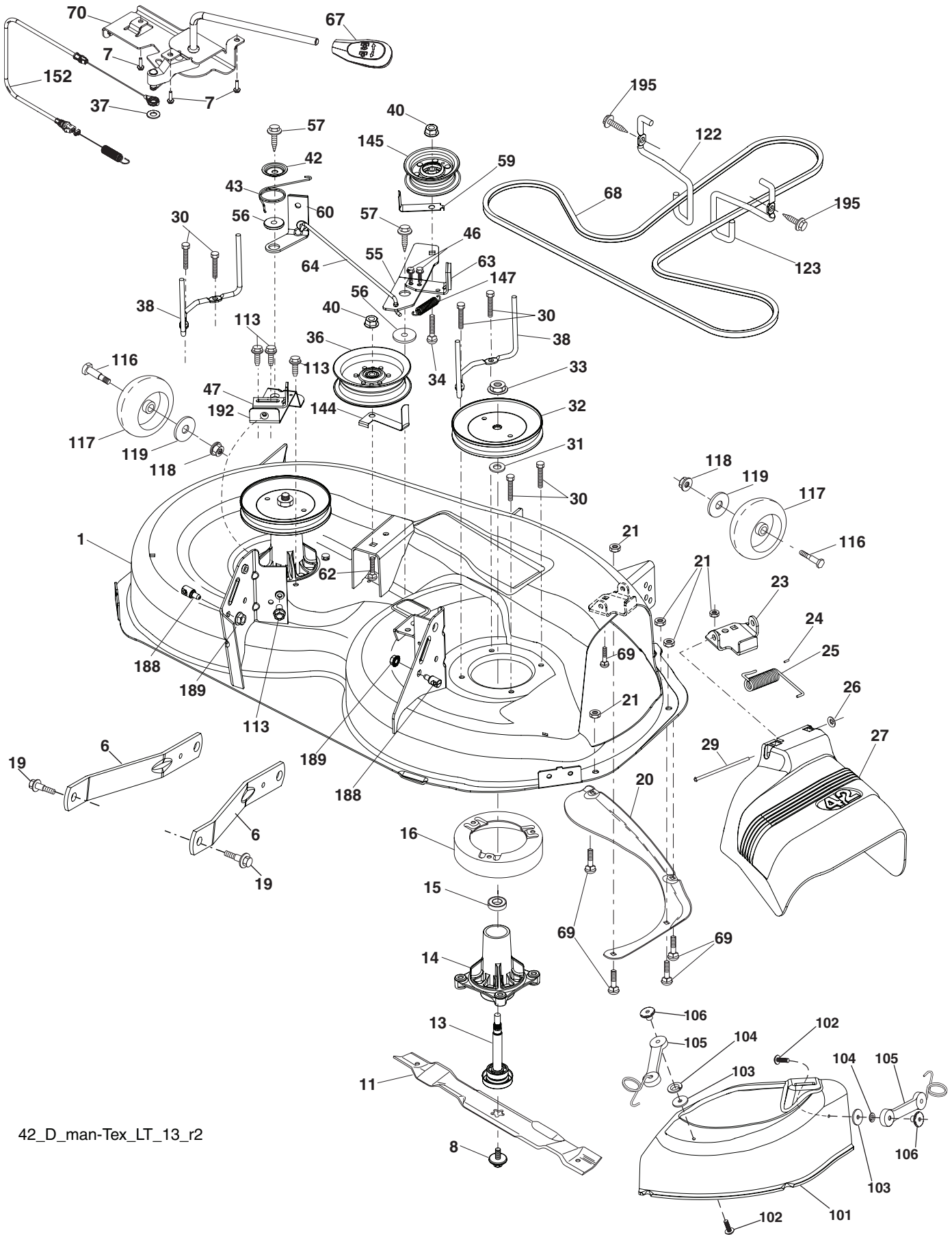
steering-tex_5-lt_r2

**TRACTOR - MODEL NUMBER P180107H 96041001602 PRODUCT NO. 960 41 00 16
STEERING ASSEMBLY**

KEY NO.	PART NO.	DESCRIPTION
1	532 19 45-95	Wheel, Steering
2	532 19 56-73	Axle Asm., Front
4	532 40 30-87	Spindle Asm., LH
5	532 40 30-88	Spindle Asm., RH
6	532 12 49-31	Bearing, Race Thrust Harden
7	532 12 17-48	Washer 25/32 x 1-5/8 x 16 Ga.
8	812 00 00-29	Ring, Klip #T5304-75
9	532 12 12-32	Cap, Spindle
13	532 12 17-49	Washer 25/32 x 1-1/4 x 16 Ga.
14	810 04 06-00	Washer, Lock Hvy Hlcl Spr 3/8
15	873 54 06-00	Nut, Crown Lock 3/8-24 unf
16	532 19 60-74	Shaft Steering
19	532 19 47-29	Plate Steering
20	532 40 97-63	Boot, Steering
21	532 18 67-37	Adapter, Wheel Steering
22	532 19 48-45	Bushing, Strg. Blk
26	532 19 46-03	Insert, Wheel Steering
28	817 00 06-12	Screw 3/8-16 x 3/4
33	810 04 05-00	Washer Lock 5/16
35	532 19 47-32	Gear, Sector Plate
45	819 11 38-12	Washer 11/32 x 2-3/8 x 12 Ga.
50	873 90 06-00	Nut Lock Flg 3/8-16 UNC
53	532 18 89-67	Washer Hardened.793x1.637x.060
54	874 76 06-36	Bolt Hex HS 3/8-16 UNC x 2-1/4
55	532 19 76-36	Spacer Brace Axle
57	532 40 74-65	Bracket Upstop
58	532 19 47-47	Bolt Shoulder Sector Pivot CFM
59	532 19 47-48	Washer Thrust Sector Steering
60	873 97 10-00	Nut Flange Lock 5/8-11
61	532 19 47-40	Draglink LH
62	532 19 47-41	Draglink, RH
63	817 00 05-12	Screw 5/16-18 x 3/4
64	532 19 98-49	Retainer Clip Spring Steering
65	532 19 47-34	Brace Axle Front
66	871 02 07-48	Bolt Hex Fghd 7/16-14 x 3 Serr
67	532 19 47-37	Bushing PM Front Axle
68	873 90 07-00	Nut Lock Flange 7/16-14 Gr. 5
69	532 19 91-62	Washer 1.5 x .505 x .118
70	532 19 61-97	Bracket Deck Susp. Front
71	532 19 60-75	Shaft Ext. Steering
72	874 78 05-72	Bolt 5/16-18 x 4.5 Gr. 5
74	532 12 49-37	Bearing
78	532 05 70-79	Washer Thrust

NOTE: All component dimensions given in U.S. inches
1 inch = 25.4 mm

TRACTOR - MODEL NUMBER P180107H 96041001602 PRODUCT NO. 960 41 00 16
MOWER DECK



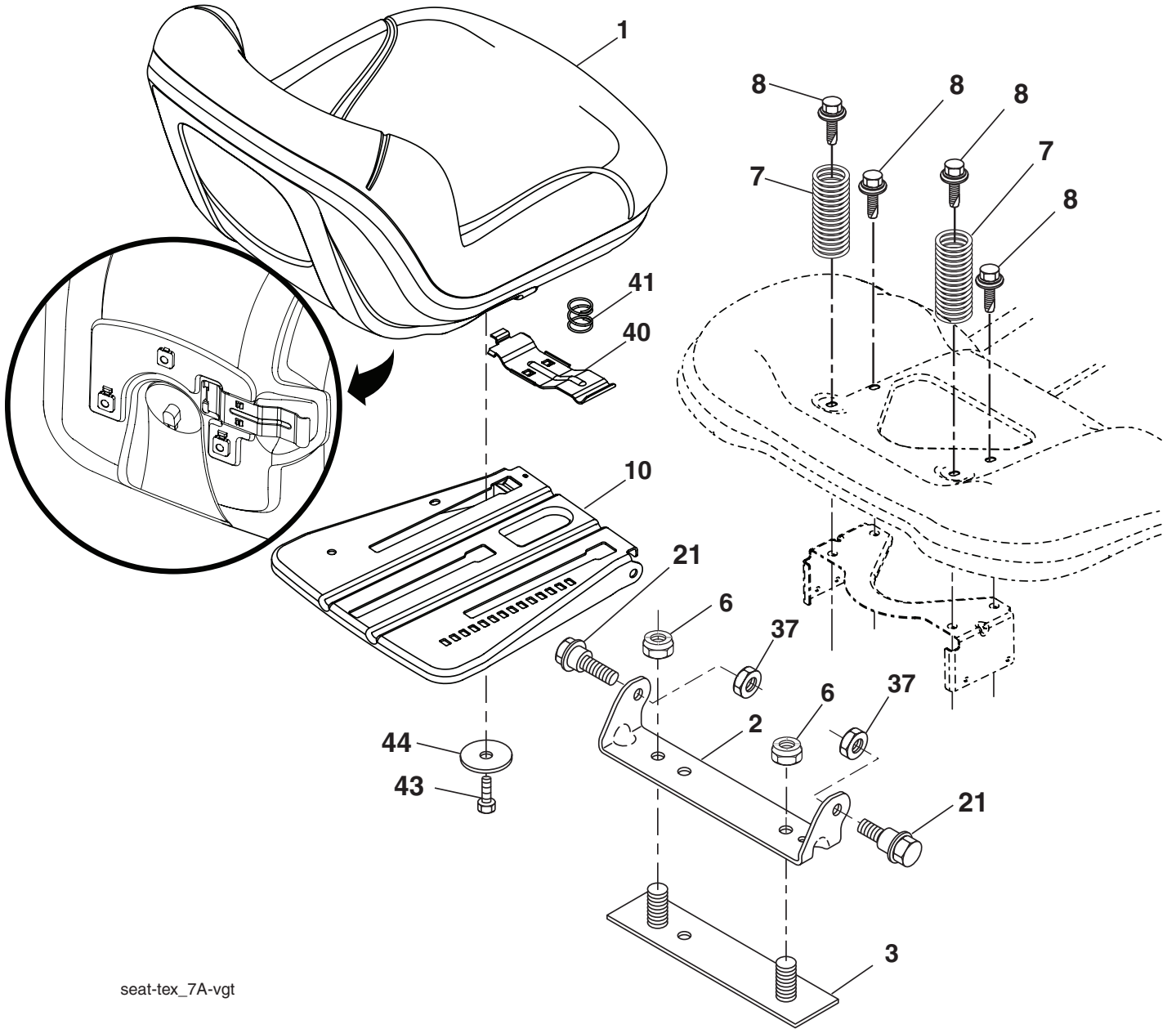
42_D_man-Tex_LT_13_r2

**TRACTOR - MODEL NUMBER P180107H 96041001602 PRODUCT NO. 960 41 00 16
MOWER DECK**

KEY NO.	PART NO.	DESCRIPTION	KEY NO.	PART NO.	DESCRIPTION
1	532 19 64-95	Mower Housing	62	872 11 06-16	Bolt Rdhd Sqnk 3/8-16 UNC x 2
6	532 19 51-86	Arm Suspension	63	532 19 94-77	Arm Brake Mower
7	532 19 16-11	Screw 10 x 3/4 Single Hex	64	532 19 97-90	Linkage Brake
8	532 19 30-03	Bolt/Washer asm 7/16-20 unf	67	532 40 97-92	Handle, Clutch Cable
11	532 13 41-49	Blade, 42" Mulching Std (For mulching mowers only)	68	532 19 72-53	V-Belt
13	532 19 28-72	Shaft Assembly, Mandrel	69	872 14 05-05	Bolt Rdhd Sqnk 5/16-18 x 5/8
14	532 18 72-81	Housing, Mandrel	70	532 40 12-46	Clutch Asm. Manual
15	532 11 04-85	Bearing, Ball, Mandrel	101	532 19 31-07	Cover Mulching
16	532 17 44-93	Stripper, Mower Deck	102	871 08 10-10	Screw 10-24 x 5/8
19	532 19 65-39	Bolt, Shoulder	103	819 06 12-16	Washer # 10
20	532 15 97-70	Baffle, Vortex	104	810 07 10-00	Washer Lock # 10
21	873 68 05-00	Nut, Crownlock 5/16-18 UNC	105	532 16 07-93	Latch Asm
23	532 19 25-57	Bracket, Deflector	106	532 12 50-04	Nut Weld .337/.304 # 10-24
24	532 10 53-04	Cap, Sleeve	113	817 00 05-10	Screw 5/16-18
25	532 19 70-26	Spring, Torsion, Deflector	116	532 12 48-42	Bolt, Shoulder
26	532 11 04-52	Nut, Push	117	532 18 86-06	Wheel, Gauge
27	532 40 30-04	Shield, Deflector	118	873 93 06-00	Nut, Crownlock 3/8-1
29	532 13 14-91	Rod, Hinge	119	819 12 14-14	Washer 13/32 x 7/8 x 14 Ga.
30	532 17 39-84	Screw Thdrol Rolling Wsh Hd	122	532 19 72-58	Keeper Belt Eng. LH
31	532 18 76-90	Washer, Spacer	123	532 19 72-59	Keeper Belt Eng. RH
32	532 19 74-73	Pulley, Mandrel	144	532 19 92-04	Keeper Belt
33	532 40 02-34	Nut, Toplock, Flanged	145	532 19 73-79	Pulley Idler
34	872 11 06-12	Bolt Carr Sh. 3/8-16 x 1-1/2 Gr. 5	147	532 40 19-71	Spring Return
36	532 19 31-97	Pulley, Idler, Flat	152	532 40 87-14	Cable Clutch Manual w/Spr.
37	819 13 13-16	Washer 13/32 x 13/16 x 16 Ga.	188	532 19 51-61	Stud Fastener
38	532 19 91-89	Keeper Belt LH Mandrel	189	873 90 05-00	Nut Lock Hex Flange
40	873 90 06-00	Nut, Lock Flg. 3/8-16 UNC	192	532 19 72-60	Bracket Brake Stand LH
42	532 19 84-10	Spring Torsion Brake	195	817 00 06-12	Screw Hexwsh Thdr 3/8-16 x 3/4
43	532 19 72-56	Spring Torsion Retainer	--	532 19 28-70	Mandrel Assembly (Includes hous- ing, shaft assembly, and bearing only - pulley/nut/washer and blade bolt/washers not included)
46	532 13 77-29	Screw Thd Roll 1/4-20 x 5/8	--	532 40 51-26	Replacement Mower, Complete
47	532 19 72-50	Bracket Clutch Cable			
55	532 19 72-49	Arm, Idler			
56	532 19 90-92	Spacer, Retainer			
57	817 00 06-16	Screw Hexwsh Thd 3/8-16 x 1			
59	532 14 10-43	Guard, Tuv Idler (94)			
60	532 19 72-61	Arm Brake Mower			

NOTE: All component dimensions given in U.S. inches
1 inch = 25.4 mm

**TRACTOR - MODEL NUMBER P180107H 96041001602 PRODUCT NO. 960 41 00 16
SEAT ASSEMBLY**



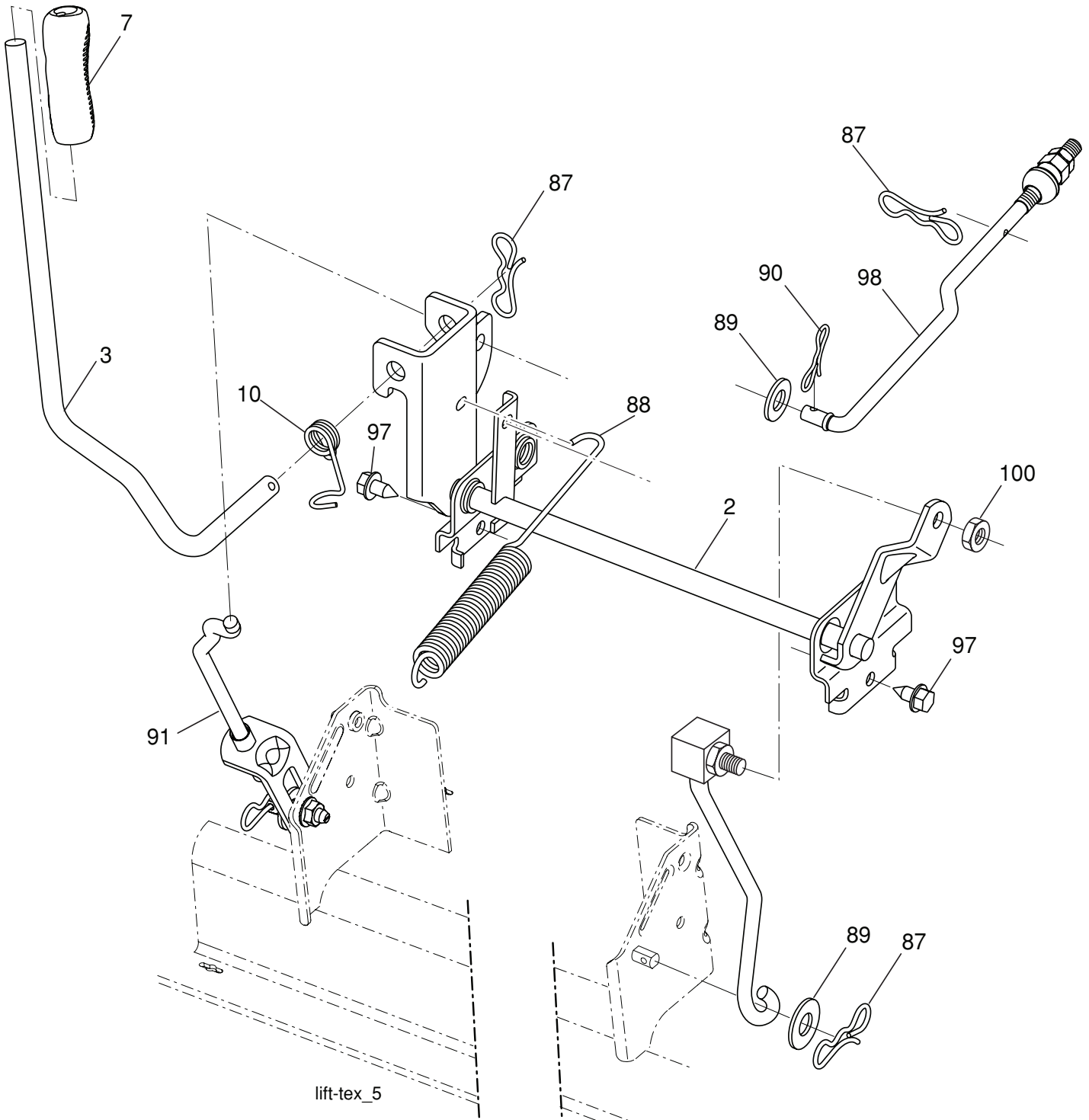
seat-tex_7A-vgt

KEY NO.	PART NO.	DESCRIPTION
1	532 40 66-25	Seat
2	532 18 01-66	Bracket Pivot Fender
3	532 14 06-75	Strap, Asm Fender
6	873 80 06-00	Nut, Lock W/Ins. 3/8-16 UNC
7	532 12 41-81	Spring, Seat Cprsn
8	532 17 18-77	Bolt 5/16-18 UNC x 3/4 w/Sems
10	532 19 69-77	Pan, Seat
21	532 17 18-52	Bolt, Shoulder 5/16-18
37	873 80 05-00	Nut, Lock 5/16-18 UNC

KEY NO.	PART NO.	DESCRIPTION
40	532 19 76-61	Handle
41	532 19 82-00	Spring Latch
43	874 76 06-12	Bolt 3/8-16 UNC x 3/4
44	819 13 38-12	Washer 13/32 x 2-3/8 x 12 Ga.

NOTE: All component dimensions given in U.S. inches
1 inch = 25.4 mm

**TRACTOR - MODEL NUMBER P180107H 96041001602 PRODUCT NO. 960 41 00 16
LIFT ASSEMBLY**



KEY NO.	PART NO.	DESCRIPTION
2	532 19 52-23	Shaft Asm., Lift
3	532 19 52-31	Lever Asm., Lift Rh
7	532 41 17-42	Grip, Lever
10	532 19 63-14	Spring Torsion
87	532 19 42-09	Pin Cotter 7/16 Bow Tie Lock
88	532 41 07-10	Spring Lift Assist
89	819 19 19-12	Washer Clear Zinc
90	532 19 42-08	Pin Cotter 5/16 Bow Tie Lock

KEY NO.	PART NO.	DESCRIPTION
91	532 19 51-81	Link Lift Susp Mower Rear
97	817 00 06-12	Screw 3/8-16 x .75 Smgml Tap/R.Z
98	532 19 52-70	Link Lift Susp. Front Mower
100	873 93 06-00	Nut Centerlock 3/8-16 UNC

NOTE: All component dimensions given in U.S. inches 1 inch = 25.4 mm